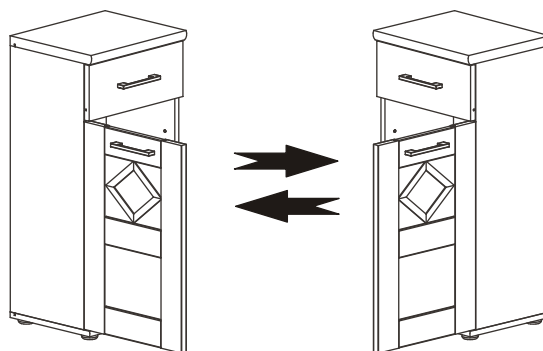
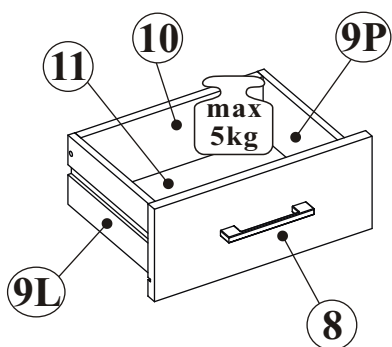
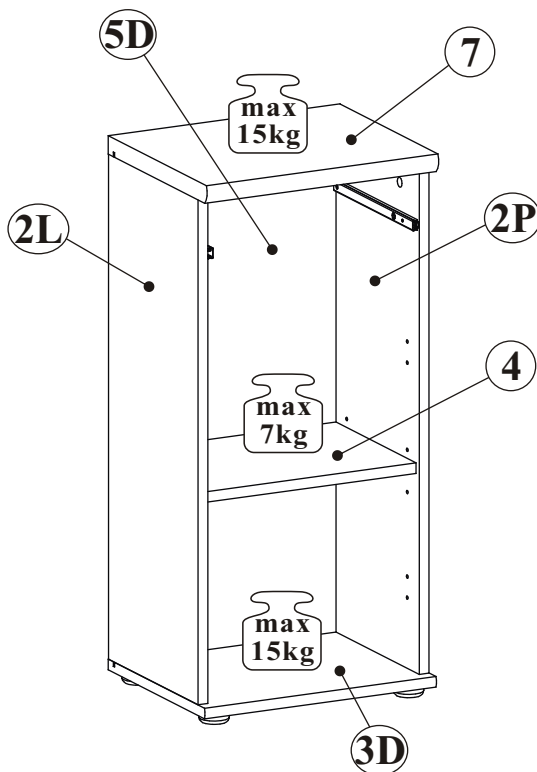
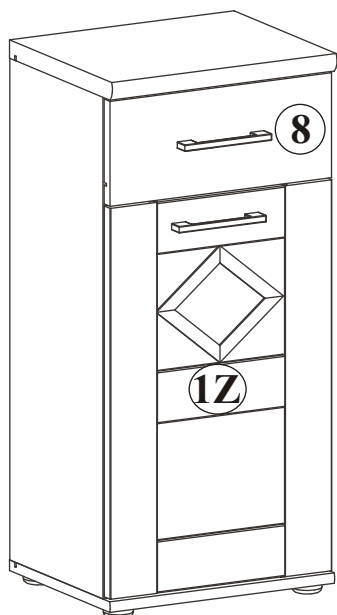
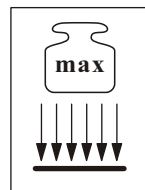
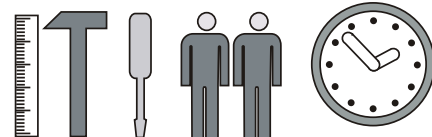


# VITO COUNTRY 36-505-\_\_-6

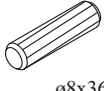
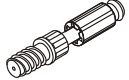



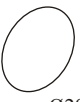
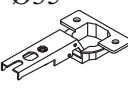
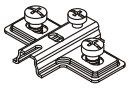

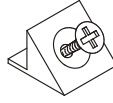






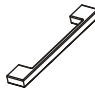

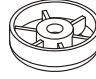



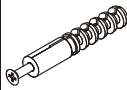
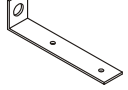




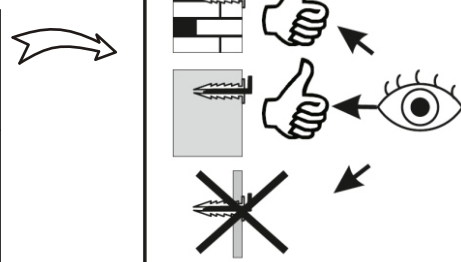
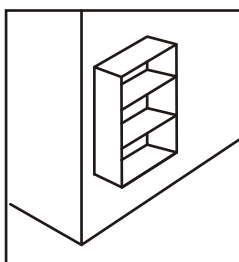
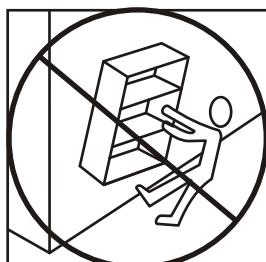
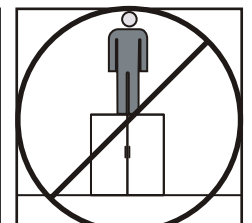
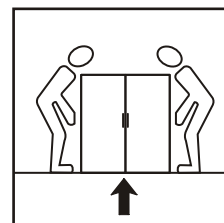
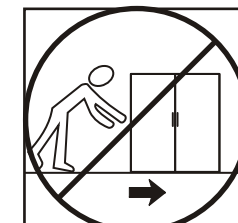
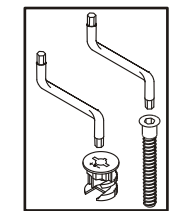
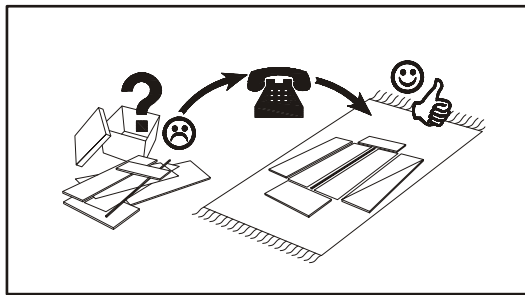
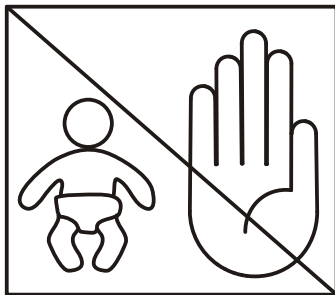
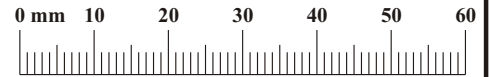
NO	Dim.		Col.-No	Qty
1Z	596	376	1	1
2L	765	284	1	1
2P	765	284	1	1
3D	381	307	1	1
4	348	254	1	1
5D	777	360	1	1
7	381	314	1	1
8	376	160	1	1
9L	250	120	1	1
9P	250	120	1	1
10	315	106	1	1
11	255	326	1	1



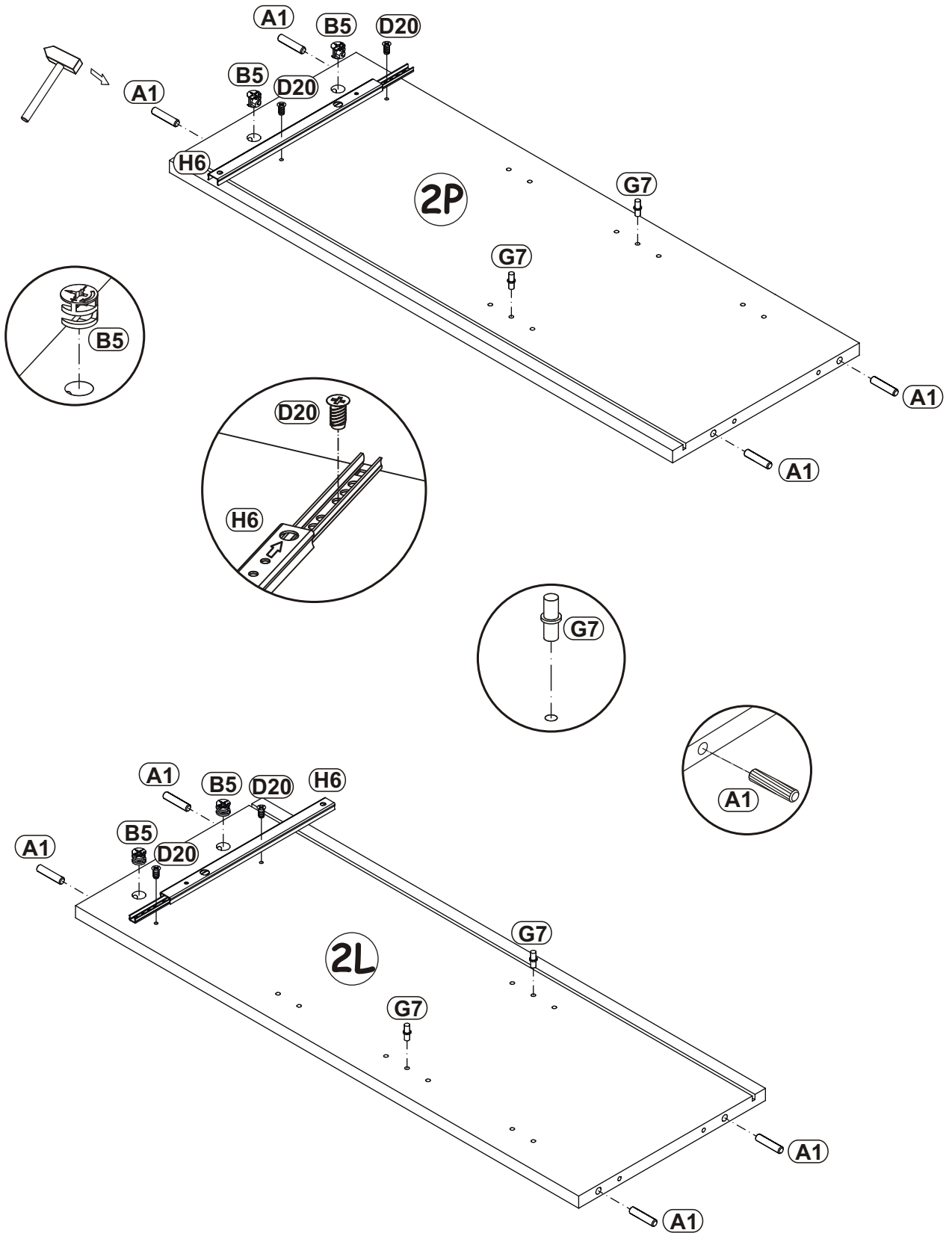
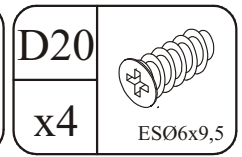
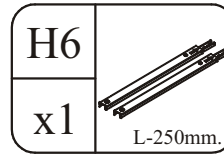
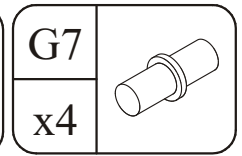
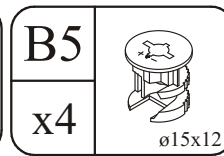
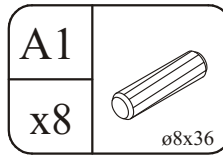
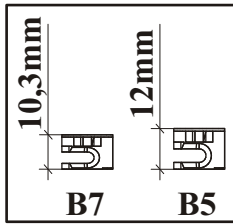
60 min


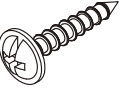
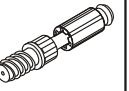
VITO COUNTRY 36-505-\_\_-6

A1 x12  ø8x36	B4 x6 	B5 x4  ø15x12	G5 x4 	B7 x2  Ø15x10,3	G8 x2  Ø20
E21 x2 Ø35 H=0 	E2 x2 H=0 	D10 x6 USØ3,5x13 	S1 x9 	B11 x6 Ø7x50 	G4 x6 
H6 x1 L-250mm. 	D18 x2 M4x9 	D20 x4 ESØ6x9,5 	UP13 x4 UPØ3x16 	W128 x2 	UP16 x4 UPØ4x35 
I11 x4 Ø45, h=15 	UP11 x4 UPØ4x20 	G7 x4 	Z2 x4 Ø5 	KR1 x1 	L1 x1 
G2 x1 	GU x2 Ø35 				

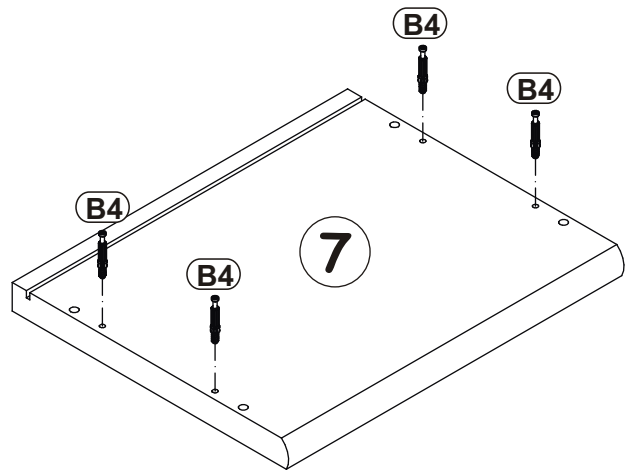
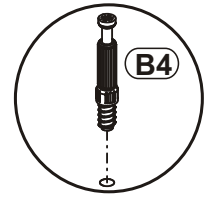
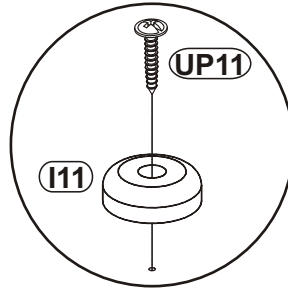
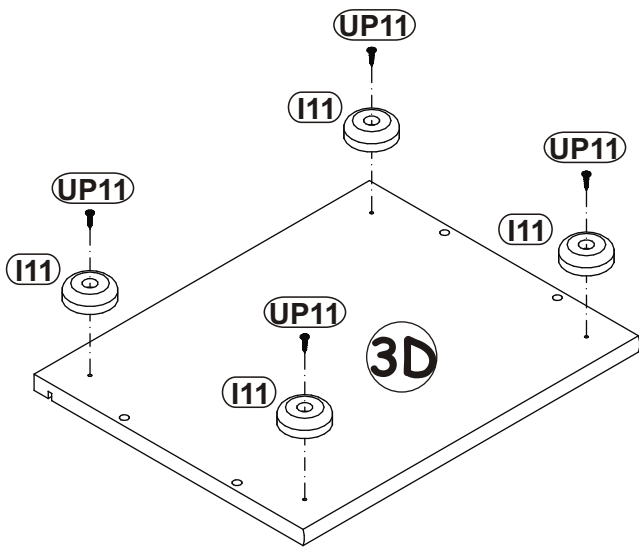


1

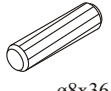



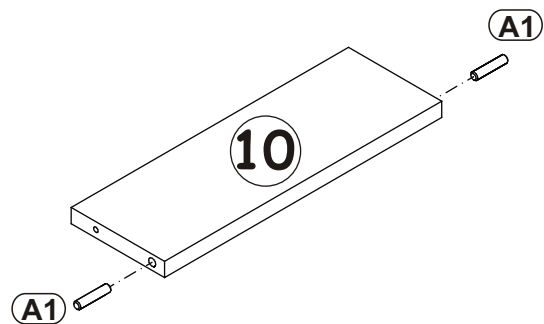
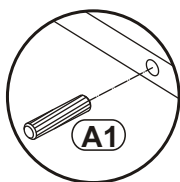
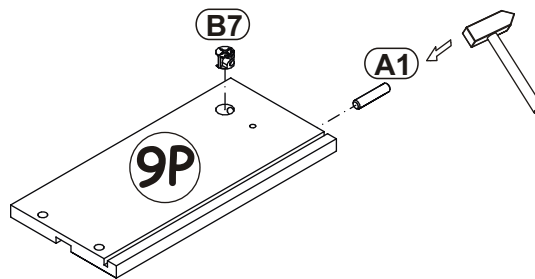
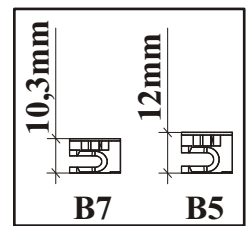
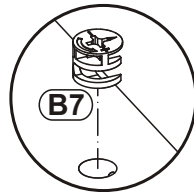
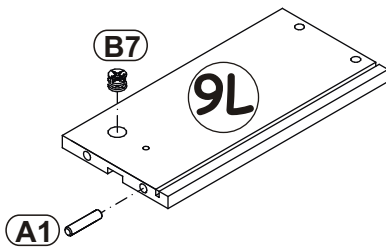
I11		UP11		B4	
x4	Ø45, h=15	x4	UPØ4x20	x4	

2

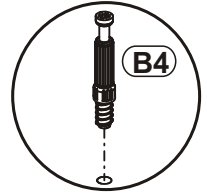
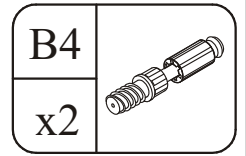
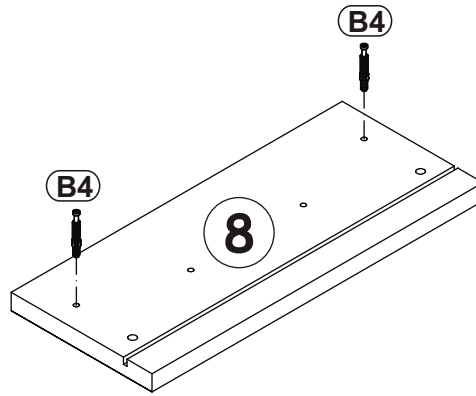
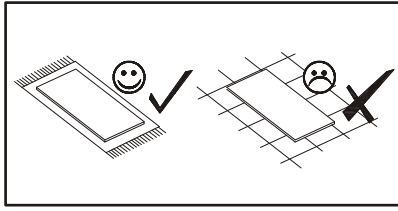


3

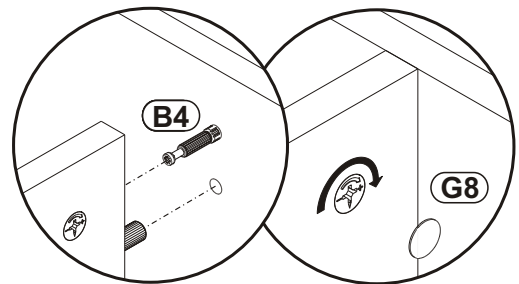
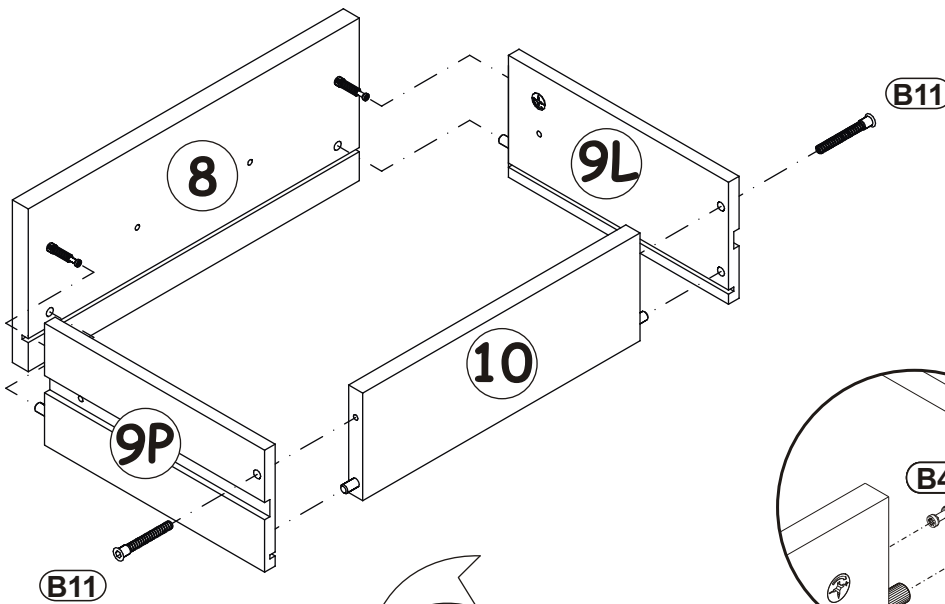
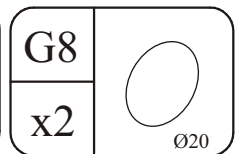
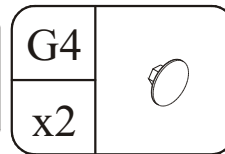
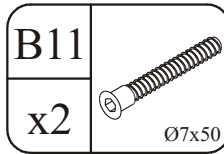
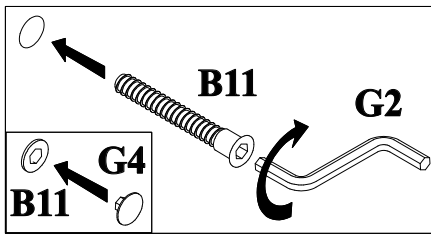
A1		B7	
x4	ø8x36	x2	Ø15x10,3



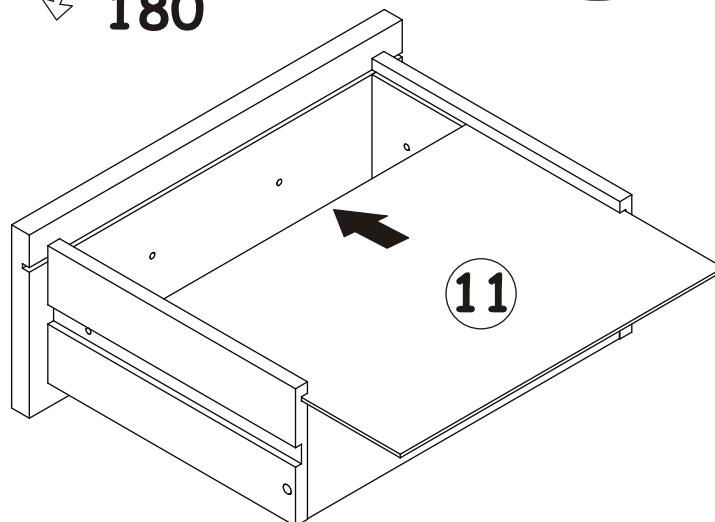
4



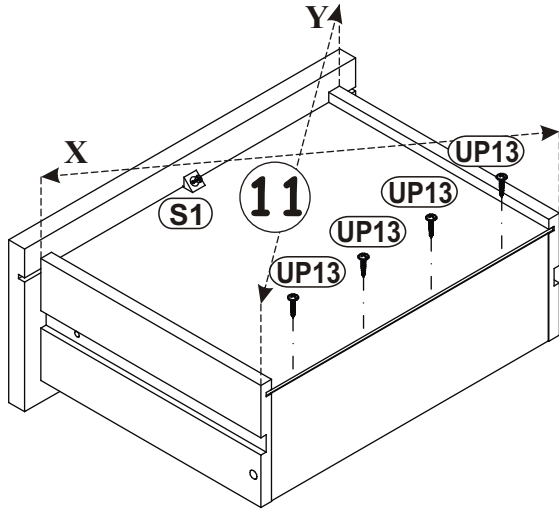
5



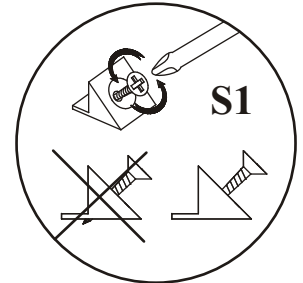
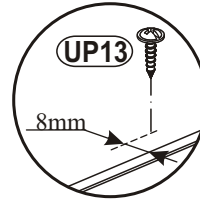
180°



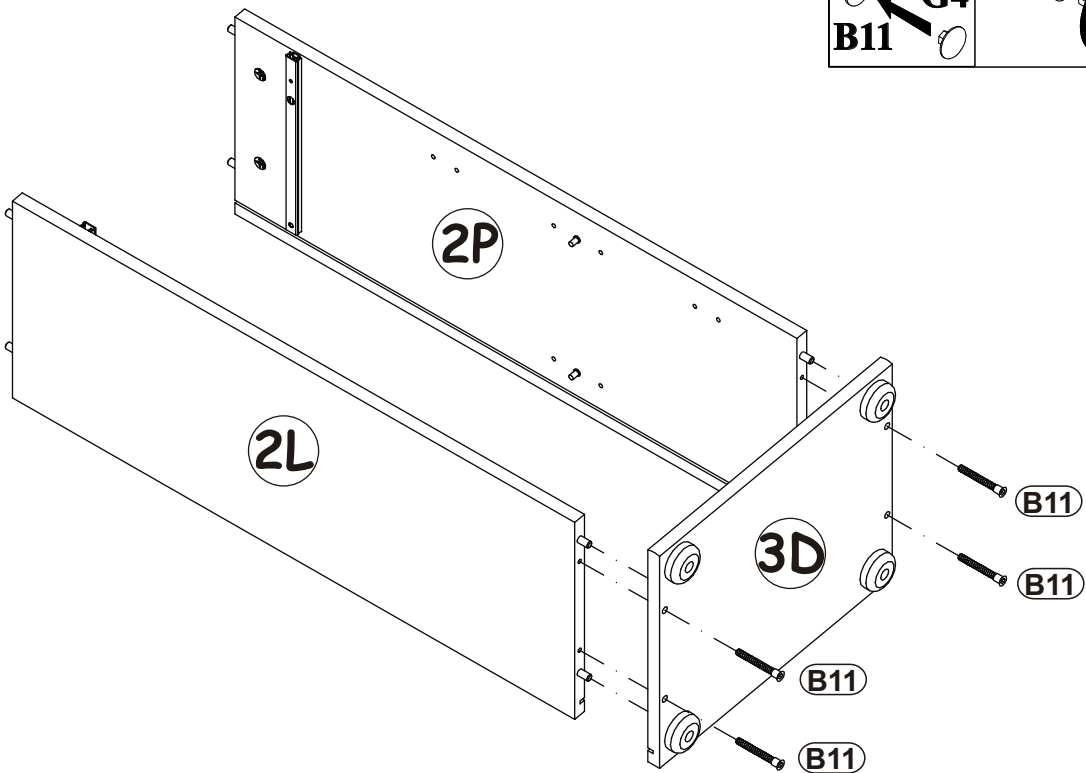
6



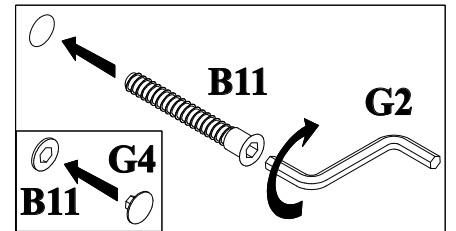
S1		UP13	
x1		x4	UPØ3x16




7

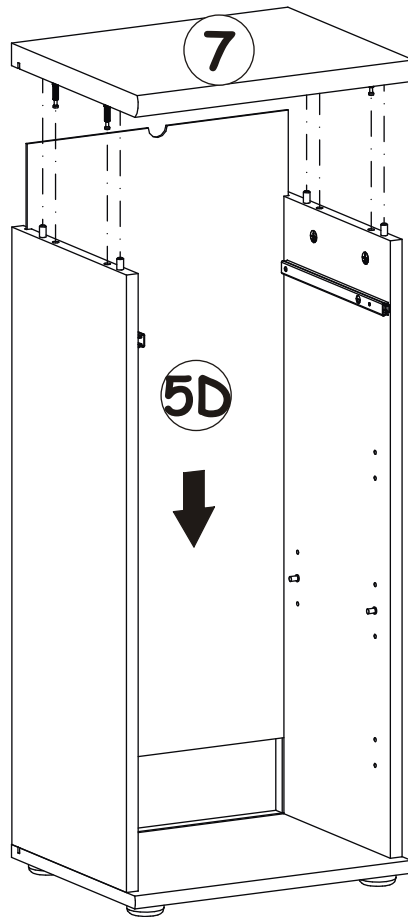
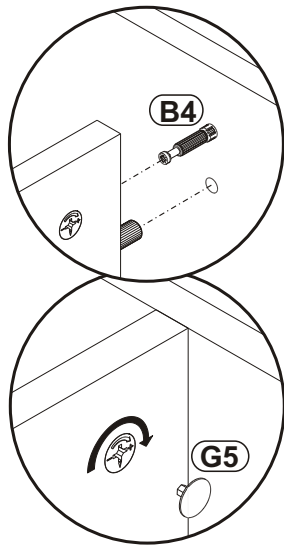


B11		G4	
x4	Ø7x50	x4	

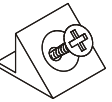


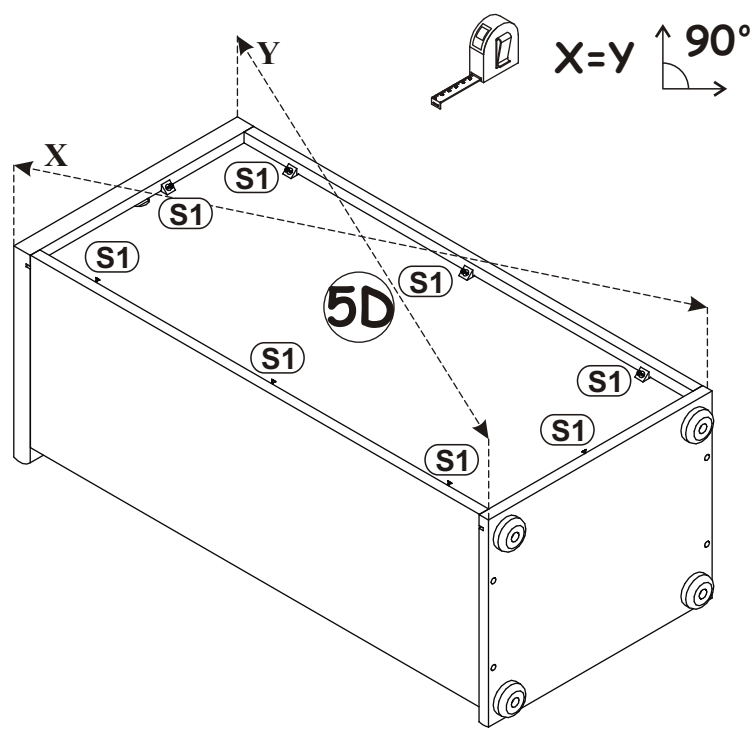
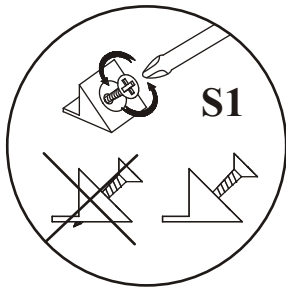
G5	
x4	

8

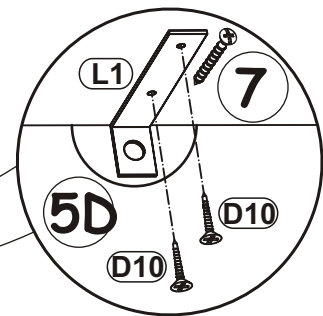
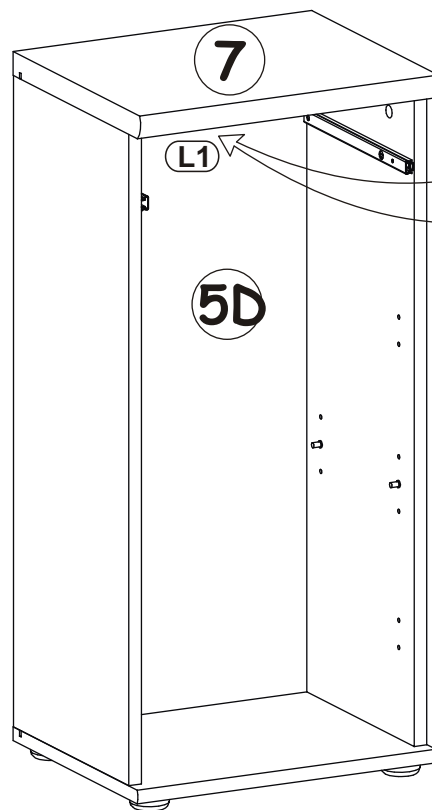
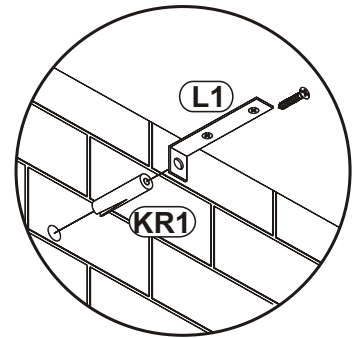
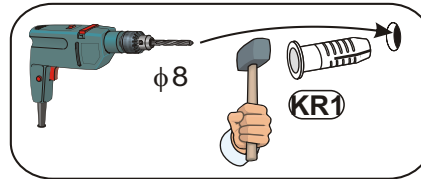
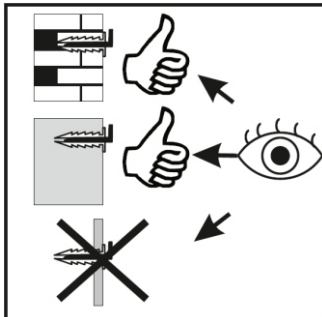
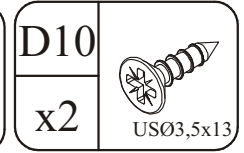
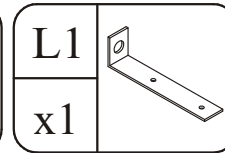
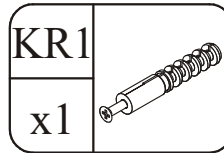


9

S1	
x8	

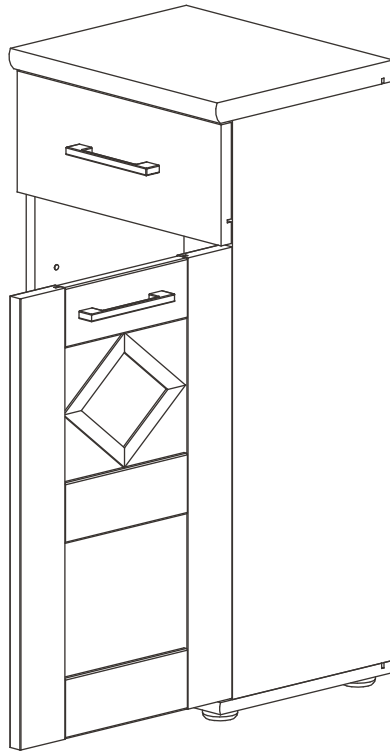


10

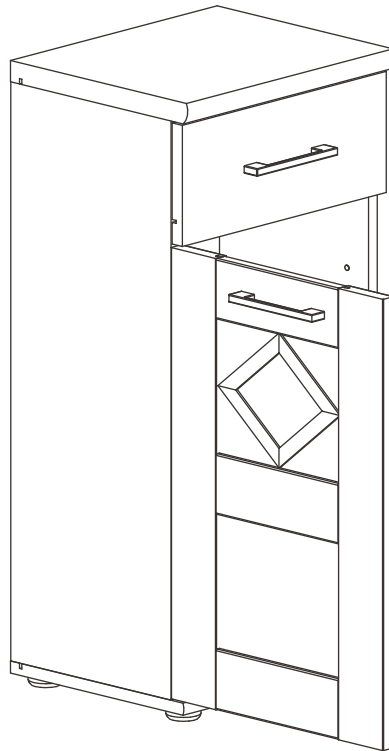




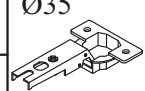


**11-14**

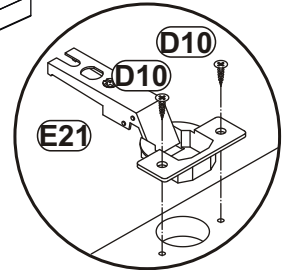
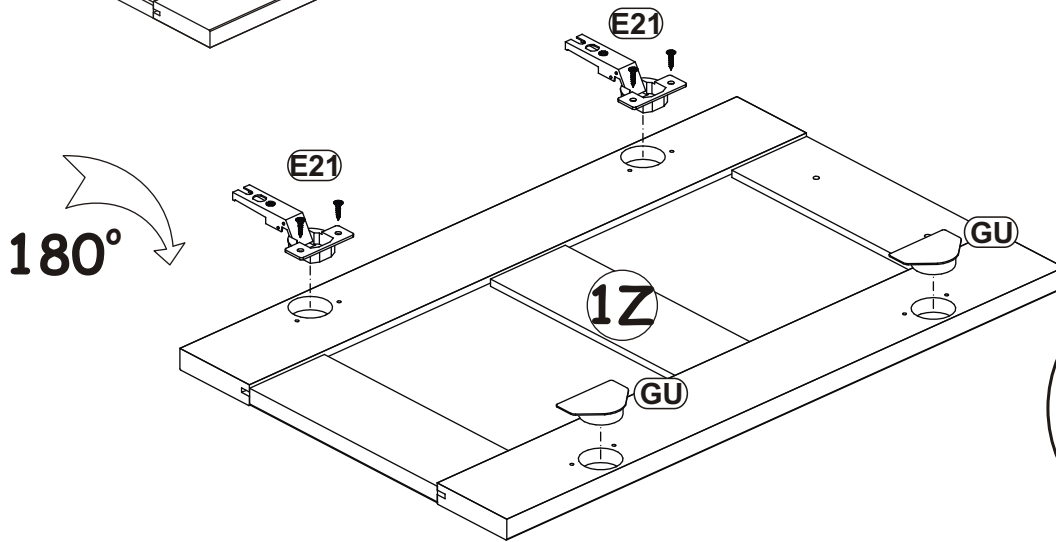
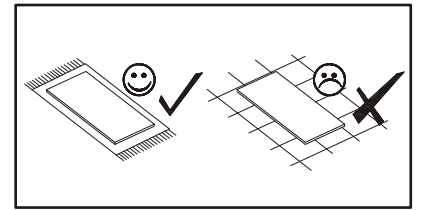
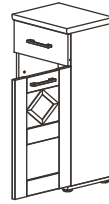
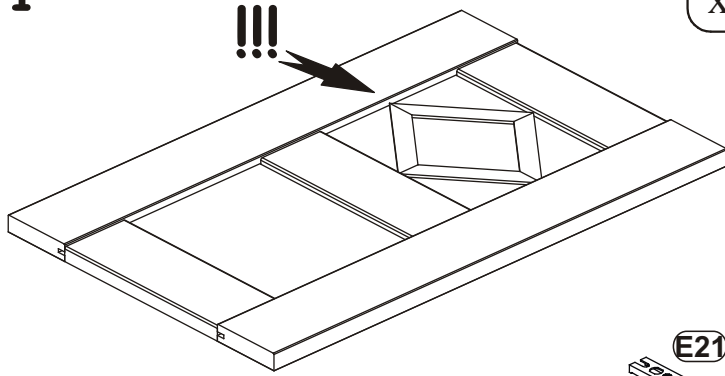


**15-18**

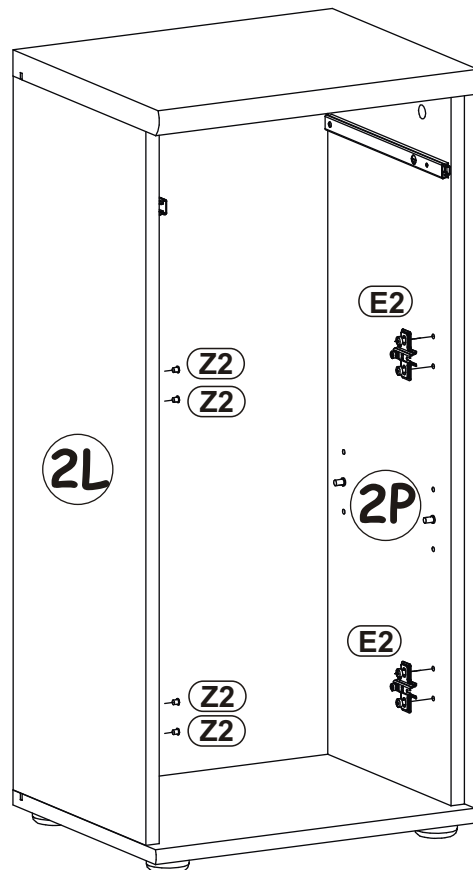
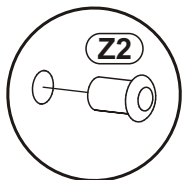


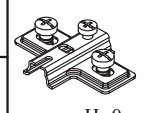

GU		D10		E21	
x2	Ø35	x4	USØ3,5x13	x2	H=0

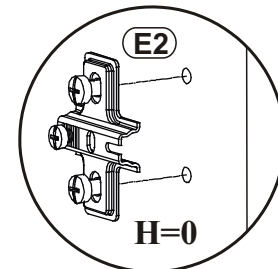
11



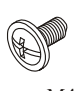
12

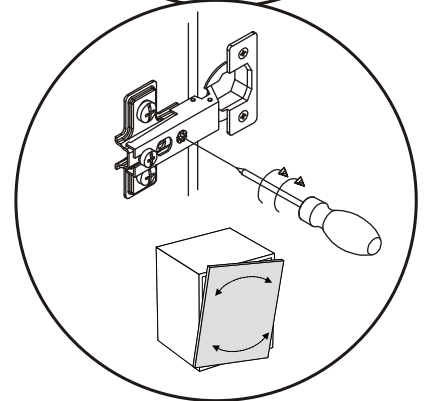
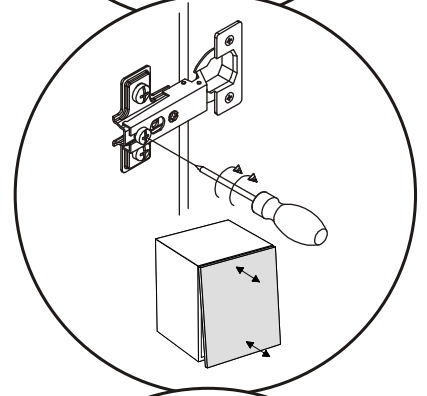
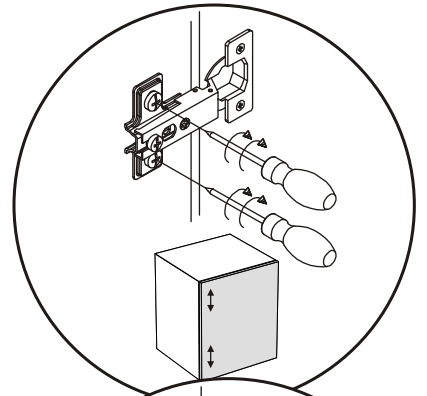
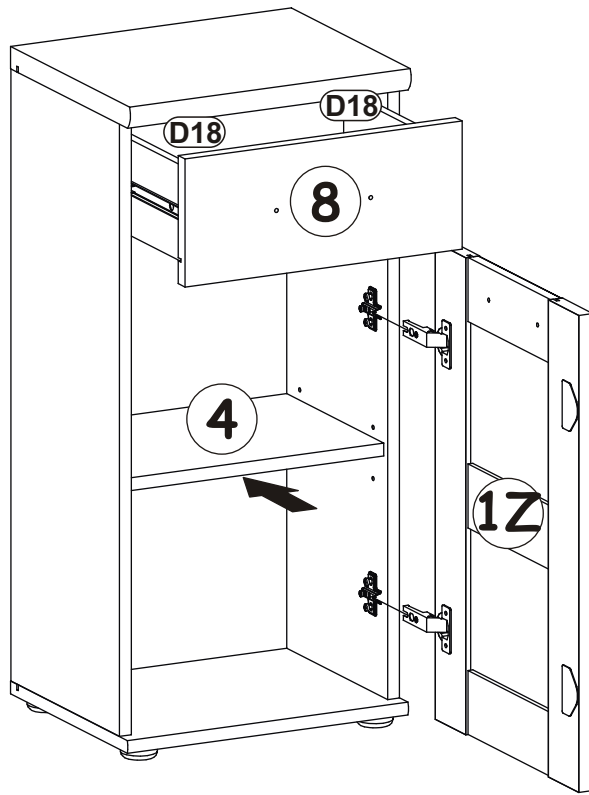
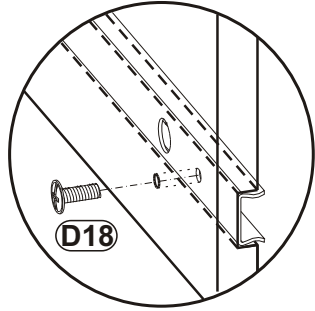
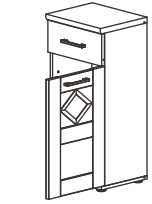


E2		Z2	
x2	H=0	x4	Ø5

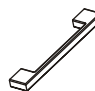


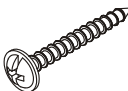
13

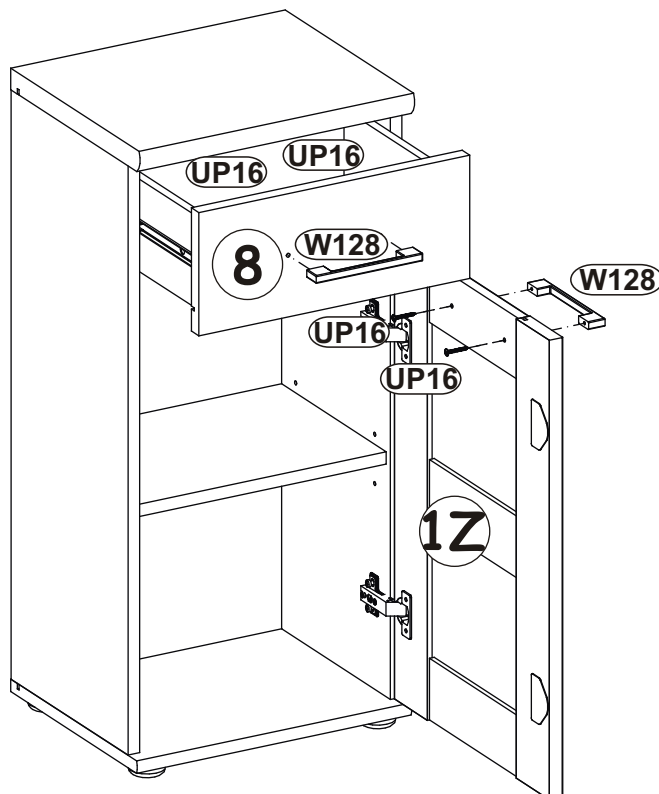
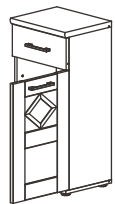
D18	
x2	M4x9



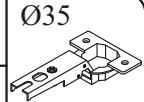


14

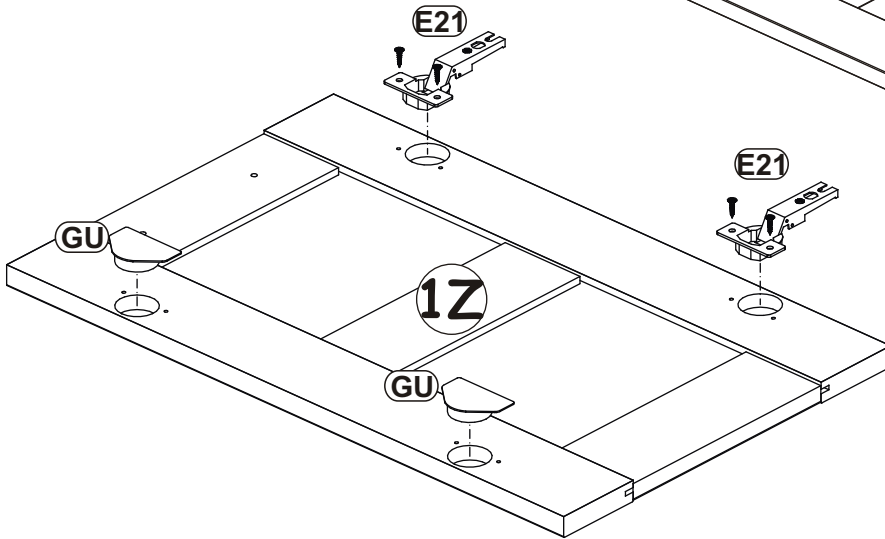
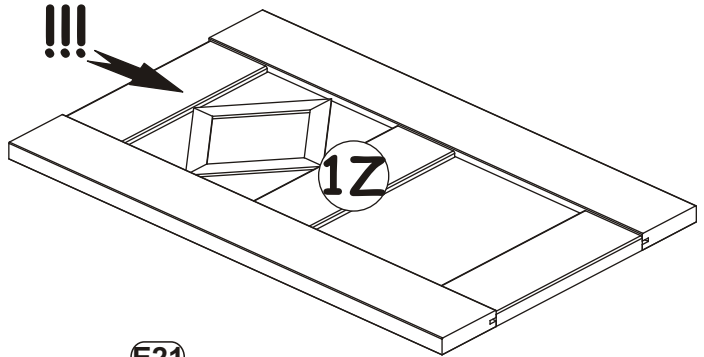
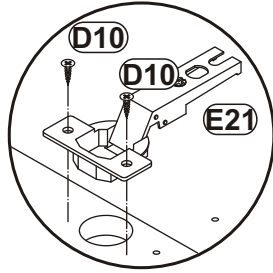
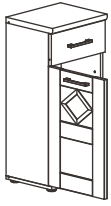
W128	
x2	

UP16	
x4	UPØ4x35

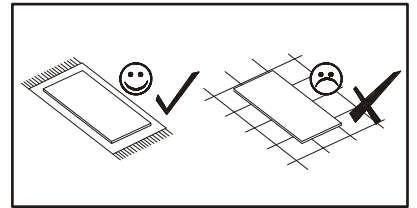


GU		D10		E21	
x2	Ø35	x4	USØ3,5x13	x2	H=0

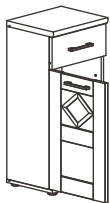
15

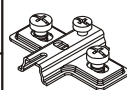



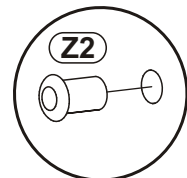
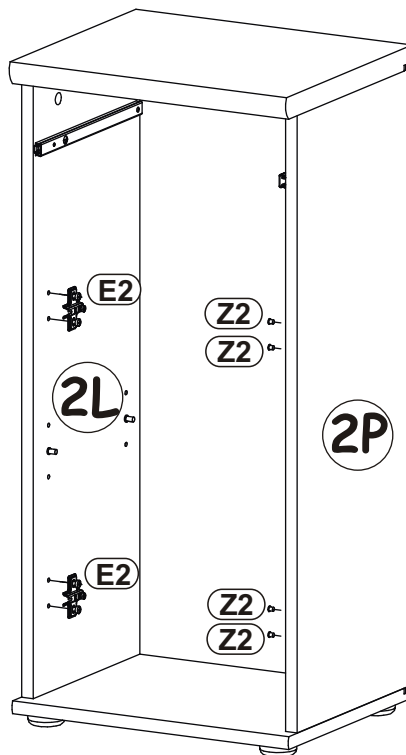
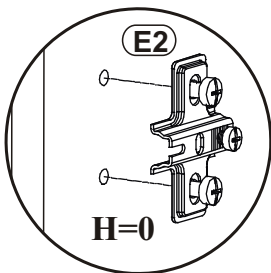
180°



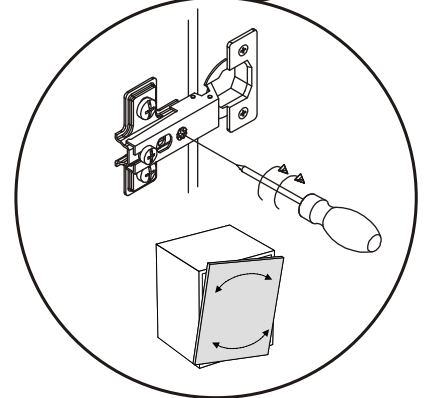
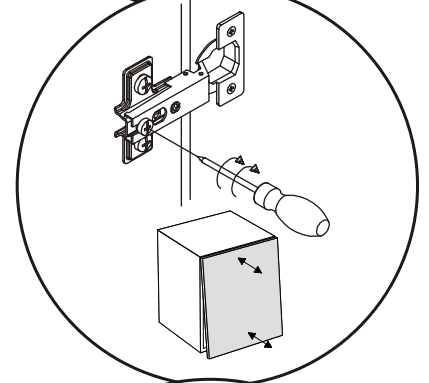
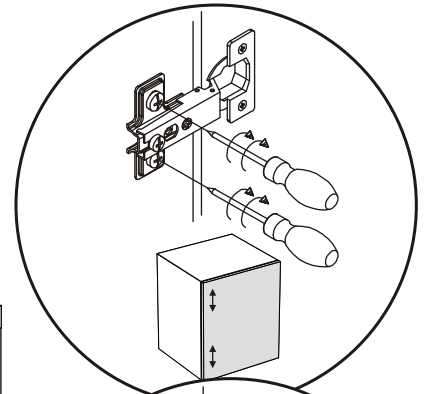
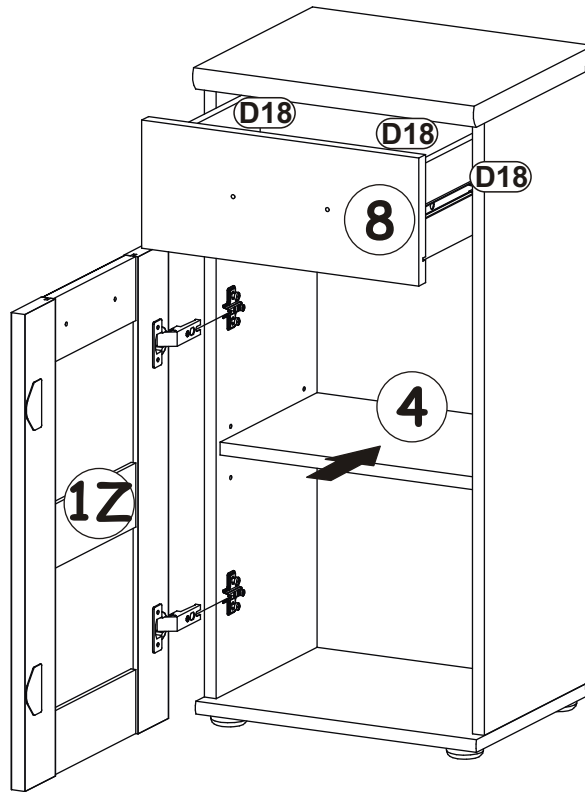
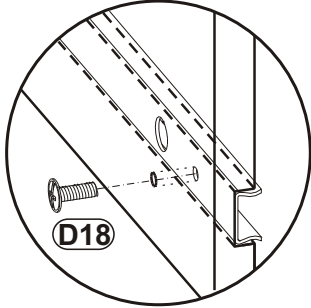
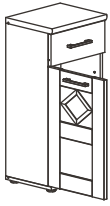
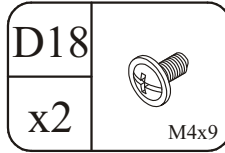
16



E2		Z2	
x2	H=0	x4	Ø5



17



18

